

AGS Series Control Stations

IP65 Waterproof Stainless Steel Control Stations High Corrosion and Weather Resistant

The AGS series control stations are designed for mounting various models of switches/pilot lights in various combinations. Standard control stations are available with predetermined specifications of cable lead-in holes and switches/pilot lights mounted (contact configurations, voltage, button colors, and nameplates).

- Wide variety of combinations of switches/pilot lights are possible. Select from a wide variety of ø30 TWN/TWND series switches/pilot lights.
- Buff finish available upon request.



Specifications

Degree of Protection (Note 1)	IP65 (IEC60529) Key selector switch: Splash-proof IP54
Material (Box)	Stainless steel plate (thickness 1 mm)
Coating Color (Melamine coating)	Yellow semi-gloss (Munsell 5Y7/1) 1 column: Outside only 2 or 3 column: Both inside and outside
Rated Insulation Voltage	600V
Insulation Resistance	5 MΩ minimum (500V DC megger)
Dielectric Strength (Note 2)	Between live and dead parts: 2500V AC, 1 minute
Standard Operating Conditions	Ambient temperature: -25 to +50°C (no freezing) Relative humidity: 45 to 85% (no condensation)
Enclosure Style	1 to 5 holes × 1 column, 3 to 5 holes × 2 or 3 columns Wall mount/Pole mount
Cable Lead-in (Wall Mount)	Reducer bushing (Gland hub also available) G1 (28 mm) 1 to 3 holes × 1 column: G3/4 (22 mm)
Applicable Switches/Pilot Lights	IDEC ø30 mm TWN/TWND series, AM ammeter (except enclosed type units)

Note 1: Degree of protection depends on the switches/pilot lights mounted on the enclosure. When IP65 switches/pilot lights are mounted, the entire control station has IP65 characteristics. (See page 2)

Note 2: AM ammeter: 2000V AC, 1 minute

Switch/Pilot Light Mounting Holes

The holes for mounting switches/pilot lights are 30.5 mm in diameter with an anti-rotation notch. Mounting centers are 50 mm.

Lead-in Fittings (Wall Mount)

A reducer bushing made of brass is supplied for connecting a steel conduit to lead in cables.

- 1 column × 1 to 3 holes: With one G3/4 for 22 mm conduit
- 1 column × 4 or 5 holes: With one G1 for 28 mm conduit
- 2 columns × 2 or 3 holes: With two G3/4 for 22 mm conduit
- 2 columns × 4 or 5 holes: With two G1 for 28 mm conduit
- 3 columns × 2 or 3 holes: With three G3/4 for 22 mm conduit
- 3 columns × 4 or 5 holes: With three G1 for 28 mm conduit

Note: Mounting other than standard (e.g. one bushing for 2 column, one or two bushings for 3 column) is not available. In this case, a plug is supplied.

HNG gland hubs for lead in cables are also available.

Stand Pole (Pole Mount)

The pole is made of carbon steel pipe, and the base is made of cast iron. The coating color is the same as the enclosure, yellow (semi-gloss).



Control Stations with Switches/Pilot Lights

The standard control stations are available with selected combinations of switches/pilot lights as listed below. For the dimensions and mounting centers, see the figures on page 37.

Switches/Pilot Lights Mounted on Standard Control Stations

Switch/Pilot Light	Part No.	Specifications
Pushbutton (PB)	ABN110 *	Flush, 1NO
	ABN101 *	Flush, 1NC
	ABN111 *	Flush, 1NO-1NC
	ABN311R	ø40 mushroom, 1NO-1NC
Pilot Light (PL) (LED)	APN116DN *	Dome, 100/110V AC (2W)
	APN126DN *	Dome, 200/220V AC (2W)
Selector Switch (SS)	ASN211N	Knob, 2-position, 1NO-1NC
	ASN320N	Knob, 3-position, 2NO
	ASN2K11N-N024401	Key, 2-position, 1NO-1NC
Meter (A)	AM ammeter (See page 38)	Specify capacity (Part No.) Coating color of the meter bezel: N1.5 (polish)

Note: Specify a button or lens color code in place of * :
 Pushbutton: B (black), G (green), R (red)
 Pilot Light: G (green), R (red)
 Flush pushbuttons are supplied with black, green, and red color caps.

1-column

Package Quantity: 1

Control Station		Mounted Switches/Pilot Lights		
Style	Part No.	Symbol	Part No.	NA Nameplate Legend
Wall Mount 1 hole	AGS1101MB	(PB)	ABN110B	ON
	AGS1102M	(PB)	ABN311R	OFF
	AGS1103M	(PL)	APN116DNR	Without nameplate
	AGS1105M	(SS)	ASN211N	HAND-AUTO
	AGS1106M	(SS)	ASN320N	HAND-OFF-AUTO
	AGS1107M	(SS)	ASN2K11N-N024401	OFF-ON
Pole Mount 1 hole	AGS1101SMB	(PB)	ABN110B	ON
	AGS1102SM	(PB)	ABN311R	OFF
Wall Mount 2 holes	AGS2101MB	(PB) (PB)	ABN110B ABN101R	ON OFF
	AGS2102MB	(PB) (PB)	ABN111B ABN111R	ON OFF
	AGS2103M	(PL) (PL)	APN116DNR APN116DNG	Without nameplate
	AGS2104M	(PL) (PL)	APN126DNR APN126DNG	Without nameplate
	AGS2105MR	(PL) (PB)	APN116DNR ABN111R	Without nameplate STOP
	AGS2106MR	(PL) (PB)	APN126DNR ABN111R	Without nameplate STOP
	AGS2107M	(PL) (SS)	APN116DNR ASN211N	Without nameplate HAND-AUTO
	AGS2108M	(PL) (SS)	APN126DNR ASN211N	Without nameplate HAND-AUTO

Control Station		Mounted Switches/Pilot Lights		
Style	Part No.	Symbol	Part No.	NA Nameplate Legend
Wall Mount 2 holes	AGS2110M	(PL) (SS)	APN126DNR ASN2K11N-N024401	Without nameplate OFF-ON
	AGS2113MB	(PB) (PB)	ABN110B ABN311R	ON OFF
Pole Mount 2 holes	AGS2101SMB	(PB) (PB)	ABN110B ABN101R	ON OFF
	AGS2107SM	(PL) (SS)	APN116DNR ASN211N	Without nameplate HAND-AUTO
Wall Mount 3 holes	AGS3102MB	(PL) (PB) (PB)	APN116DNR ABN110B ABN101R	Without nameplate ON OFF
	AGS3103MB	(PL) (PB) (PB)	APN126DNR ABN110B ABN101R	Without nameplate ON OFF
	AGS3104MB	(PB) (PB) (SS)	ABN111B ABN111R ASN211N	ON OFF HAND-AUTO
Pole Mount 3 holes	AGS3102SMB	(PL) (PB) (PB)	APN116DNR ABN110B ABN101R	Without nameplate ON OFF
	AGS3104SMB	(PB) (PB) (SS)	ABN111B ABN111R ASN211N	ON OFF HAND-AUTO
Wall-Pole 4 holes	Wall Mount AGS4101B	(PL) (PL) (PB) (PB)	APN126DNR APN126DNG ABN111B ABN111R	Without nameplate Without nameplate ON OFF
	Pole Mount AGS4101SB			
	Wall Mount AGSM4101B	(A) (PB) (PB)	(Note) AM ammeter ABN111B ABN111R	Without nameplate ON OFF
	Pole Mount AGSM4101SB			
Wall-Pole 5 holes	Wall Mount AGS4102B	(PL) (PB) (PB) (SS)	APN126DNR ABN111B ABN111R ASN211N	Without nameplate ON OFF HAND-AUTO
	Pole Mount AGS4102SB			
	Wall Mount AGS5101B	(PL) (PL) (PB) (PB) (SS)	APN126DNR APN126DNG ABN111B ABN111R ASN211N	Without nameplate Without nameplate ON OFF HAND-AUTO
	Pole Mount AGS5101SB			
Wall Mount AGSM5101B	(A) (PL) (PB) (PB)			
Pole Mount AGSM5101SB				

Note: Specify the Part No. of the meter to select a required capacity.

2-column

Package Quantity: 1

Control Station		Mounted Switches/Pilot Lights		
Style	Part No.	Symbol	Part No.	NA Nameplate Legend
Wall-Pole 3 holes	Wall Mount AGS3801B		ABN111B	ON
	Pole Mount AGS3801SB		ABN111R	OFF
	Wall Mount AGS3802B		APN126DNR	Without nameplate
	Pole Mount AGS3802SB		ABN111B	ON
Wall-Pole 4 holes	Wall Mount AGS4801B		APN126DNR	Without nameplate
	Pole Mount AGS4801SB		ABN111R	OFF
Wall-Pole 5 holes	Wall Mount AGS5801B		APN126DNR	Without nameplate
	Pole Mount AGS5801SB		APN126DNG	Without nameplate
			ABN111B	ON
	Wall Mount AGSM5801B		(Note) AM ammeter	Without nameplate
Wall-Pole 5 holes	Pole Mount AGSM5801SB		APN126DNR	Without nameplate
			ABN111B	ON
			ABN111R	OFF

Note: Specify the Part No. of the meter to select a required capacity.

3-column

Package Quantity: 1

Control Station		Mounted Switches/Pilot Lights		
Style	Part No.	Symbol	Part No.	NA Nameplate Legend
Wall-Pole 3 holes	Wall Mount AGS3901B		ABN111B	ON
	Pole Mount AGS3901SB		ABN111R	OFF
	Wall Mount AGS3902B		APN126DNR	Without nameplate
	Pole Mount AGS3902SB		ABN111R	OFF
Wall-Pole 4 holes	Wall Mount AGS4901B		APN126DNR	Without nameplate
	Pole Mount AGS4901SB		ABN111R	OFF
Wall-Pole 5 holes	Wall Mount AGS5901B		APN126DNR	Without nameplate
	Pole Mount AGS5901SB		APN126DNG	Without nameplate
			ABN111B	ON
	Wall Mount AGSM5901B		(Note) AM ammeter	Without nameplate
Wall-Pole 5 holes	Pole Mount AGSM5901SB		APN126DNR	Without nameplate
			ABN111R	OFF

Note: Specify the Part No. of the meter to select a required capacity.

Ordering Information

When ordering control stations with switches/pilot lights:
Specify the Part No. of the control station.

When ordering enclosures without switches/pilot lights, specify the following items.

1. Part No. of the enclosure
2. Part No. and specifications of the switches/pilot lights to be mounted (lens color, button color, etc.)
3. Nameplate
4. Lead-in fitting
Only when ordering the gland hub for leading in cables, specify Part No. and the cable outside diameter (R).
5. Other specifications

Ordering Example

① ②
③ ④
⑤ ⑥
⑦ ⑧
⑨ ⑩

Part No. of Enclosure	AGS
Switch/Pilot Light and Nameplate	①② APN126DNR
	③④ APN126DNG
	⑤⑥ ABN210B, with NA-1
	⑦⑧ ABN201R, with NA-2
	⑨⑩ ASN211N, with NA-32

Note: Any ø30 mm TWN/TWND series switches/pilot lights are selectable. Take into consideration the degree of protection of the switch/pilot light and the effective depth of the enclosure.

Empty Enclosures

Package Quantity: 1

Style		1 column × 1 or 2 holes			1 column × 3 holes		1 column × 4 or 5 holes		
Part No.	Coating	AGS210M	AGS211M	AGS212M	AGS310M	AGS311M	AGS411	AGS510	AGS511
	Buffing	AGS210M-BUFF	AGS211M-BUFF	AGS212M-BUFF	AGS310M-BUFF	AGS311M-BUFF	AGS411-BUFF	AGS510-BUFF	AGS511-BUFF
Shape									
Weight (Approx.)		1.2 kg			1.6 kg		2.4 kg		
Style		2 columns × 3 holes		2 columns × 5 holes		3 columns × 3 holes		3 columns × 5 holes	
Part No.	Coated	AGS380	AGS381	AGS580	AGS581	AGS390	AGS391	AGS590	AGS591
	Buff	AGS380-BUFF	AGS381-BUFF	AGS580-BUFF	AGS581-BUFF	AGS390-BUFF	AGS391-BUFF	AGS590-BUFF	AGS591-BUFF
Shape									
Weight (Approx.)		3.8 kg		4.6 kg		4.8 kg		6.5 kg	
<ul style="list-style-type: none"> • Switch/Pilot Light Mounting Holes • Effective Depth inside the Enclosure (From the lid surface to the inside bottom) 									
 (Meter Mounting Hole)		<ul style="list-style-type: none"> * AGS210, 310: 104 * AGS210M, 310M: 104 * AGS510: 105 			(1-column)		(2- or 3-column)		

All dimensions in mm.

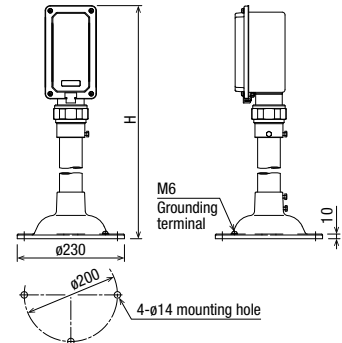
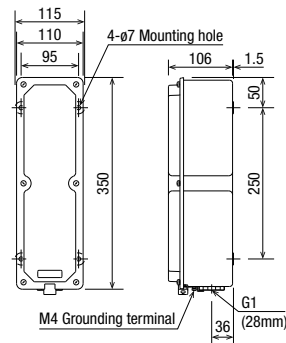
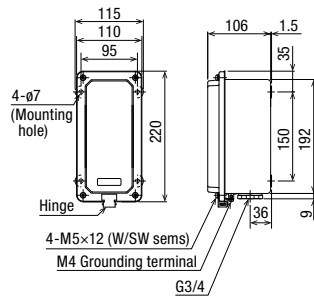
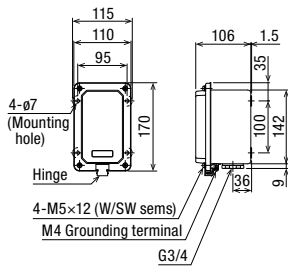
Dimensions

All dimensions in mm.

1- or 2-hole × 1 column

3-hole × 1 column

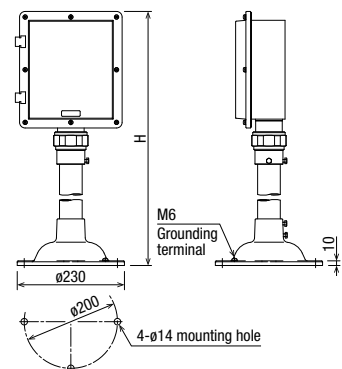
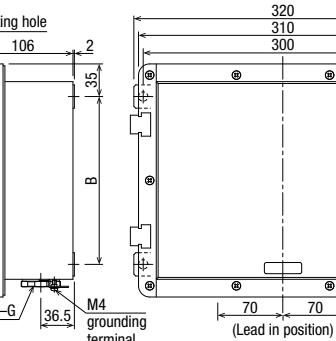
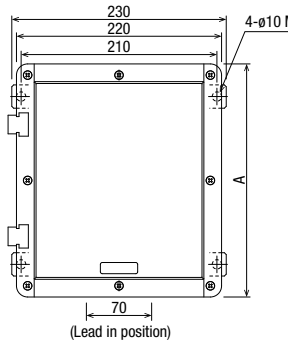
4- or 5-hole × 1 column



		1 hole	2 holes	3 holes	4/5 holes
H			1320	1370	1500
Weight (Approx.)	Wall Mount		1.2 kg	1.6 kg	2.4 kg
	Pole Mount		6.8 kg	7.2 kg	8.0 kg

2-, 3-, 4- or 5-hole × 2 columns

2-, 3-, 4- or 5-hole × 3 columns



		2-column				3-column			
		2 holes	3 holes	4 holes	5 holes	2 holes	3 holes	4 holes	5 holes
A		250	350	50	350				
B		180	280	180	280				
H		1400	1500	1400	1500				
G		3/4 (22 mm)	1 (28 mm)	3/4 (22 mm)	1 (28 mm)				
Weight (Approx.)	Wall Mount	3.8 kg	4.6 kg	4.8 kg	6.5 kg				
	Pole Mount	9.3 kg	10.4 kg	10.6 kg	12.2 kg				

Ordering Terms and Conditions

Thank you for using IDEC Products.

By purchasing products listed in our catalogs, datasheets, and the like (hereinafter referred to as "Catalogs") you agree to be bound by these terms and conditions. Please read and agree to the terms and conditions before placing your order.

1. Notes on contents of Catalogs

- (1) Rated values, performance values, and specification values of IDEC products listed in this Catalog are values acquired under respective conditions in independent testing, and do not guarantee values gained in combined conditions.
Also, durability varies depending on the usage environment and usage conditions.
- (2) Reference data and reference values listed in Catalogs are for reference purposes only, and do not guarantee that the product will always operate appropriately in that range.
- (3) The specifications / appearance and accessories of IDEC products listed in Catalogs are subject to change or termination of sales without notice, for improvement or other reasons.
- (4) The content of Catalogs is subject to change without notice.

2. Note on applications

- (1) If using IDEC products in combination with other products, confirm the applicable laws / regulations and standards.
Also, confirm that IDEC products are compatible with your systems, machines, devices, and the like by using under the actual conditions. IDEC shall bear no liability whatsoever regarding the compatibility with IDEC products.
- (2) The usage examples and application examples listed in Catalogs are for reference purposes only. Therefore, when introducing a product, confirm the performance and safety of the instruments, devices, and the like before use. Furthermore, regarding these examples, IDEC does not grant license to use IDEC products to you, and IDEC offers no warranties regarding the ownership of intellectual property rights or non-infringement upon the intellectual property rights of third parties.
- (3) When using IDEC products, be cautious when implementing the following.
 - i. Use of IDEC products with sufficient allowance for rating and performance
 - ii. Safety design, including redundant design and malfunction prevention design that prevents other danger and damage even in the event that an IDEC product fails
 - iii. Wiring and installation that ensures the IDEC product used in your system, machine, device, or the like can perform and function according to its specifications
- (4) Continuing to use an IDEC product even after the performance has deteriorated can result in abnormal heat, smoke, fires, and the like due to insulation deterioration or the like. Perform periodic maintenance for IDEC products and the systems, machines, devices, and the like in which they are used.
- (5) IDEC products are developed and manufactured as general-purpose products for general industrial products. They are not intended for use in the following applications, and in the event that you use an IDEC product for these applications, unless otherwise agreed upon between you and IDEC, IDEC shall provide no guarantees whatsoever regarding IDEC products.
 - i. Use in applications that require a high degree of safety, including nuclear power control equipment, transportation equipment (railroads / airplanes / ships / vehicles / vehicle instruments, etc.), equipment for use in outer space, elevating equipment, medical instruments, safety devices, or any other equipment, instruments, or the like that could endanger life or human health
 - ii. Use in applications that require a high degree of reliability, such as provision systems for gas / waterworks / electricity, etc., systems that operate continuously for 24 hours, and settlement systems
 - iii. Use in applications where the product may be handled or used deviating from the specifications or conditions / environment listed in the Catalogs, such as equipment used outdoors or applications in environments subject to chemical pollution or electromagnetic interference
If you would like to use IDEC products in the above applications, be sure to consult with an IDEC sales representative.

3. Inspections

We ask that you implement inspections for IDEC products you purchase without delay, as well as thoroughly keep in mind management/maintenance regarding handling of the product before and during the inspection.

4. Warranty

- (1) Warranty period
The warranty period for IDEC products shall be one (1) year after purchase or delivery to the specified location. However, this shall not apply in cases where there is a different specification in the Catalogs or there is another agreement in place between you and IDEC.
- (2) Warranty scope
Should a failure occur in an IDEC product during the above warranty period for reasons attributable to IDEC, then IDEC shall replace or repair that product, free of charge, at the purchase location / delivery location of the product, or an IDEC service base. However, failures caused by the following reasons shall be deemed outside the scope of this warranty.
 - i. The product was handled or used deviating from the conditions / environment listed in the Catalogs
 - ii. The failure was caused by reasons other than an IDEC product
 - iii. Modification or repair was performed by a party other than IDEC
 - iv. The failure was caused by a software program of a party other than IDEC
 - v. The product was used outside of its original purpose
 - vi. Replacement of maintenance parts, installation of accessories, or the like was not performed properly in accordance with the user's manual and Catalogs
 - vii. The failure could not have been predicted with the scientific and technical standards at the time when the product was shipped from IDEC
 - viii. The failure was due to other causes not attributable to IDEC (including cases of force majeure such as natural disasters and other disasters)Furthermore, the warranty described here refers to a warranty on the IDEC product as a unit, and damages induced by the failure of an IDEC product are excluded from this warranty.

5. Limitation of liability

The warranty listed in this Agreement is the full and complete warranty for IDEC products, and IDEC shall bear no liability whatsoever regarding special damages, indirect damages, incidental damages, or passive damages that occurred due to an IDEC product.

6. Service scope

The prices of IDEC products do not include the cost of services, such as dispatching technicians. Therefore, separate fees are required in the following cases.

- (1) Instructions for installation / adjustment and accompaniment at test operation (including creating application software and testing operation, etc.)
- (2) Maintenance inspections, adjustments, and repairs
- (3) Technical instructions and technical training
- (4) Product tests or inspections specified by you

The above content assumes transactions and usage within your region. Please consult with an IDEC sales representative regarding transactions and usage outside of your region. Also, IDEC provides no guarantees whatsoever regarding IDEC products sold outside your region.

IDEC CORPORATION

Head Office 6-64, Nishi-Miyahara-2-Chome, Yodogawa-ku, Osaka 532-0004, Japan

 www.idec.com

USA IDEC Corporation
EMEA APEM SAS

Singapore IDEC Izumi Asia Pte. Ltd.
Thailand IDEC Asia (Thailand) Co., Ltd.
India IDEC Controls India Private Ltd.

China IDEC (Shanghai) Corporation
IDEC Izumi (H.K.) Co., Ltd.
Taiwan IDEC Taiwan Corporation

Japan IDEC Corporation

Specifications and other descriptions in this brochure are subject to change without notice.

2022 IDEC Corporation, All Rights Reserved.

